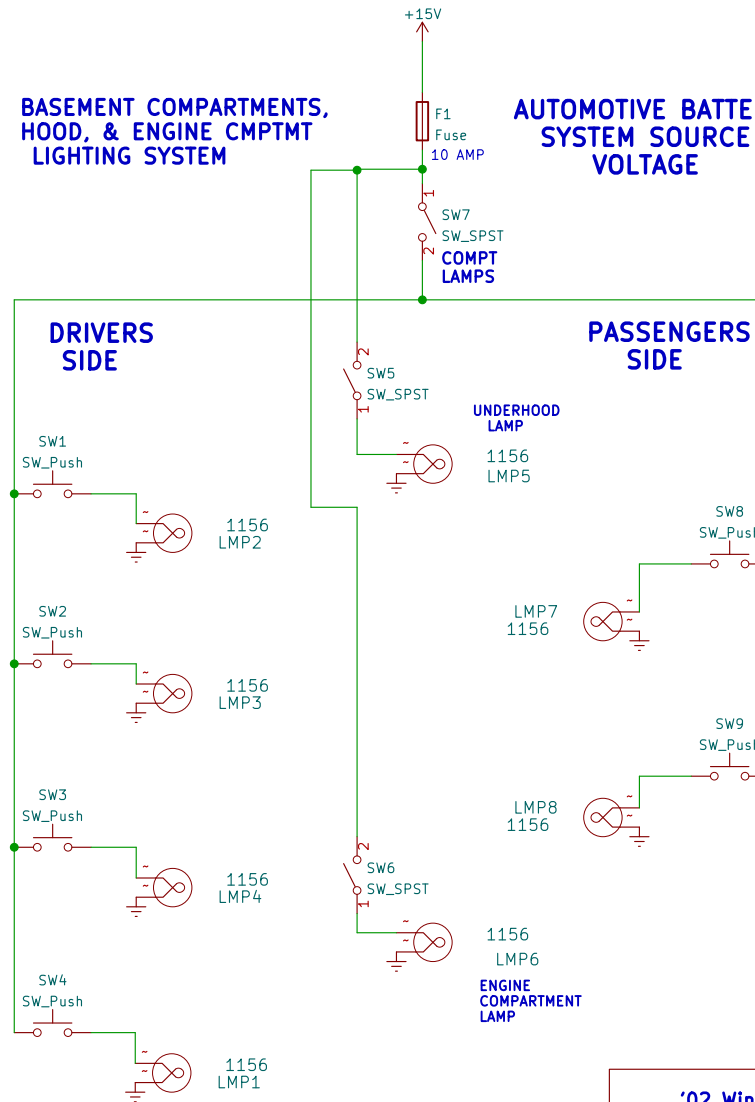


**BASEMENT COMPARTMENTS,
HOOD, & ENGINE CMPTMT
LIGHTING SYSTEM**

**AUTOMOTIVE BATTERY
SYSTEM SOURCE
VOLTAGE**



**'02 Winnebago Journey
Basement compartment
lighting circuitry**

Sheet: /		File: Basement Cabinets.kicad_sch	
Title: COMPARTMENT LIGHTING CIRCUIT			
Size: A4	Date: 17OCT21	Rev:	
KiCad E.D.A. kicad 5.99.0-unknown-ac933d4e83~109-ubuntu20.04.1		Id: 1/1	